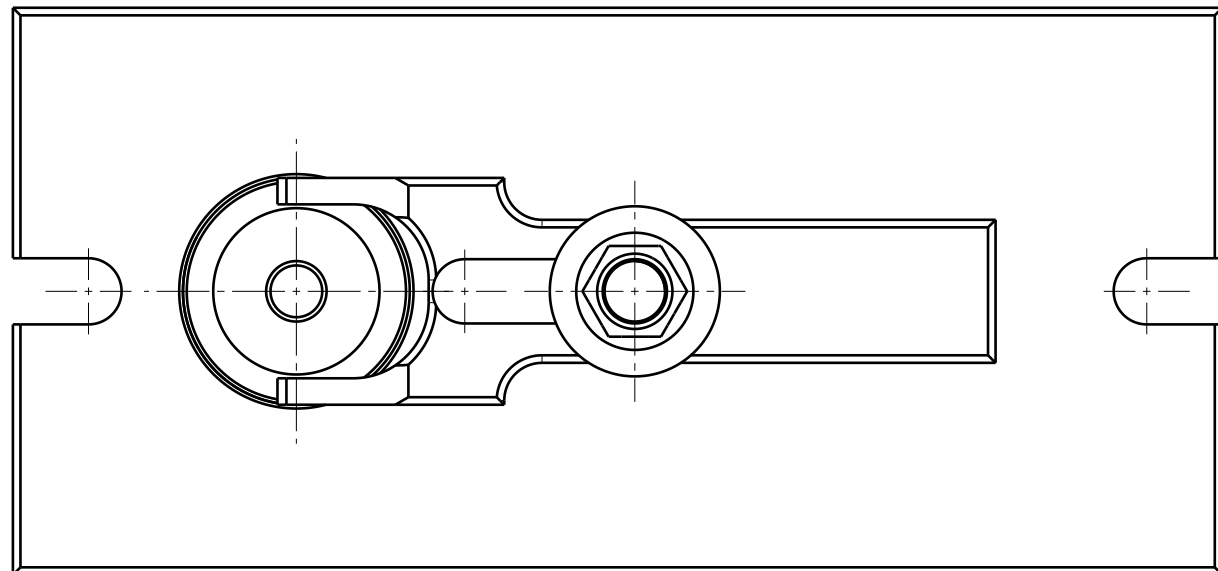
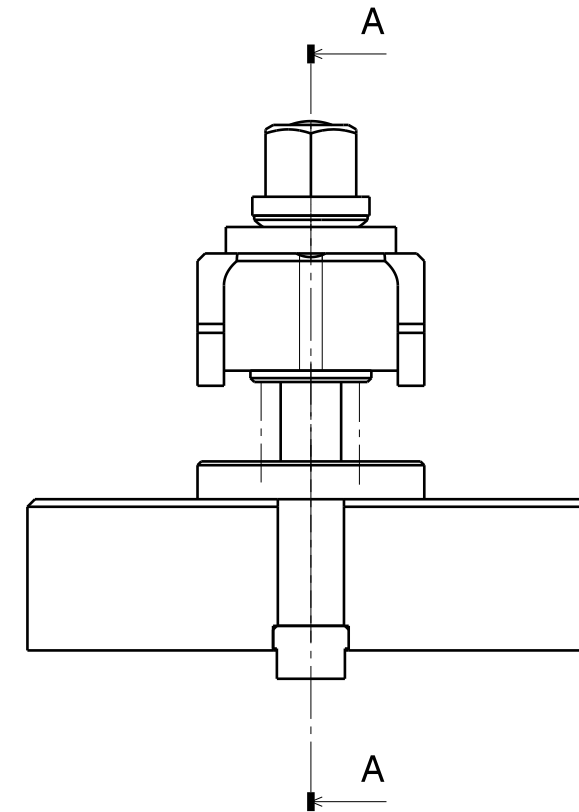
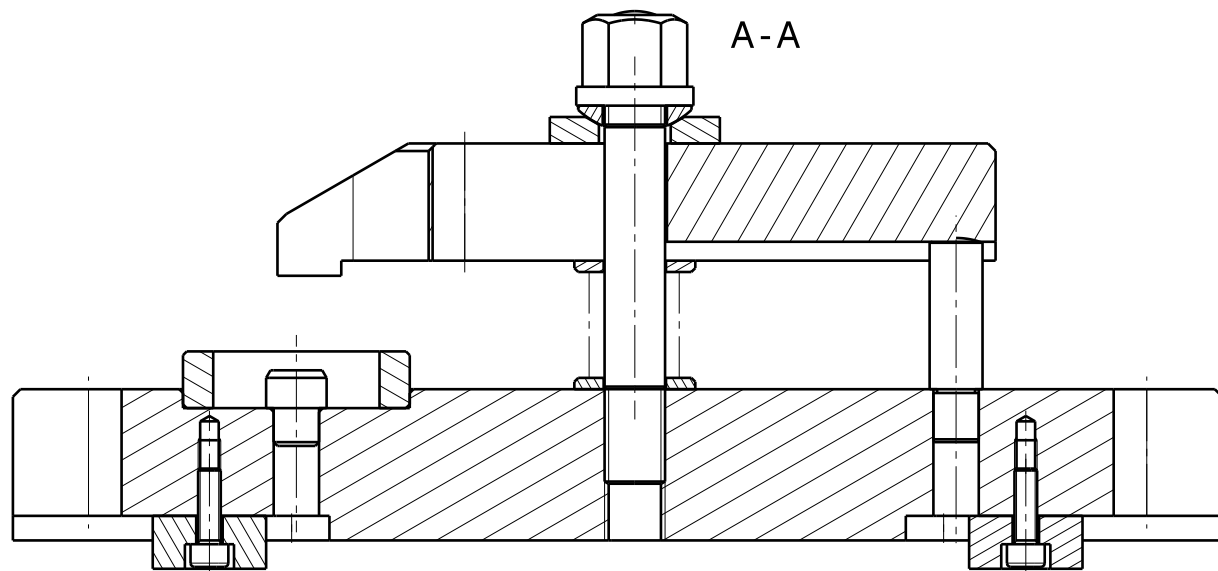
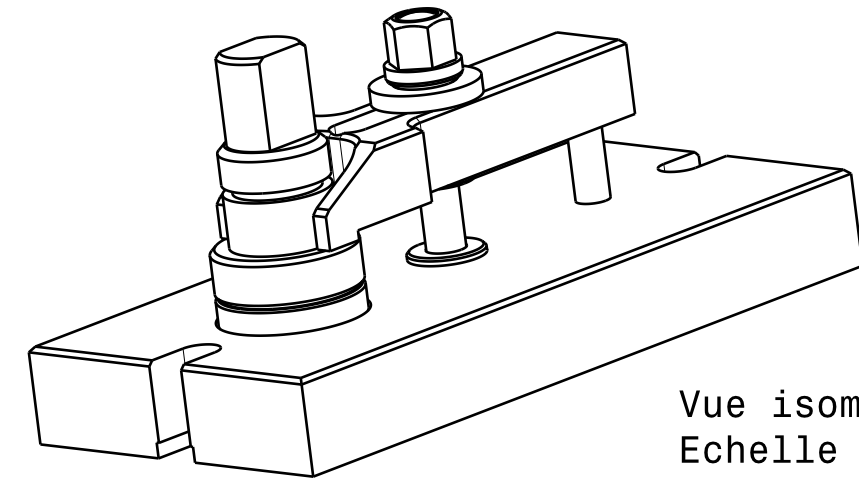
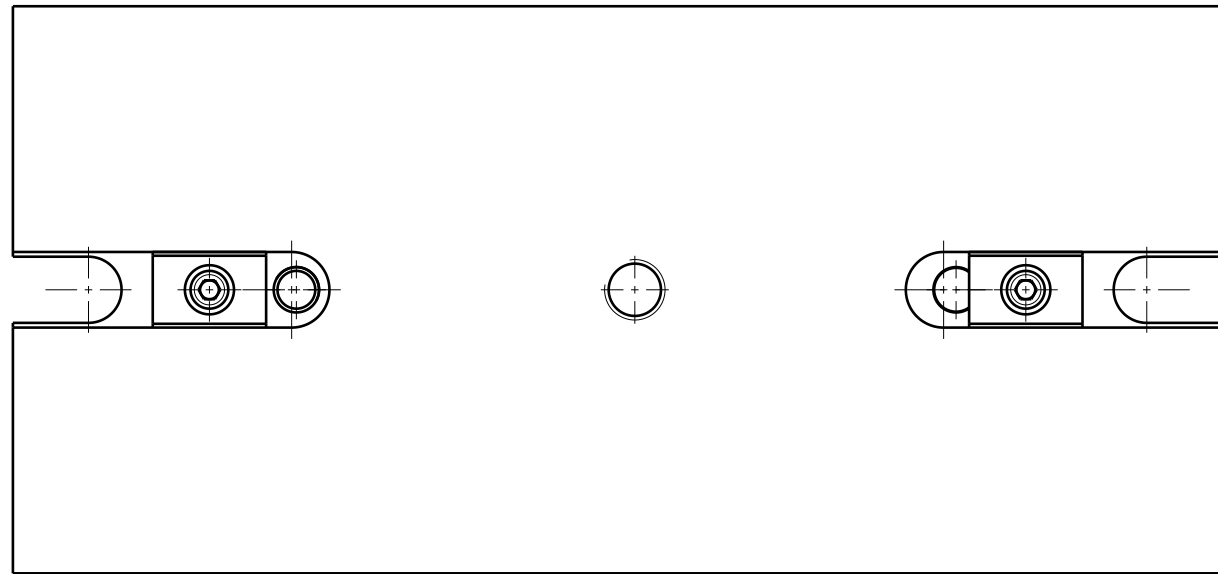


H G F E D C B A



DESIGNED BY: jgb	Intermédiaire Vanne Montage Phase 30		I	-
DATE: 10/09/2007			H	-
CHECKED BY: XXX	Lycée Jean Moulin - Béziers		G	-
DATE: XXX			F	-
SIZE A3		DRAWING NUMBER XXX	E	-
SCALE 1:2			D	-
WEIGHT (kg) XXX	SHEET 1/1		C	-
This drawing is our property; it can't be reproduced or communicated without our written agreement.			B	-
			A	-

H G B A