

4

3

2

1

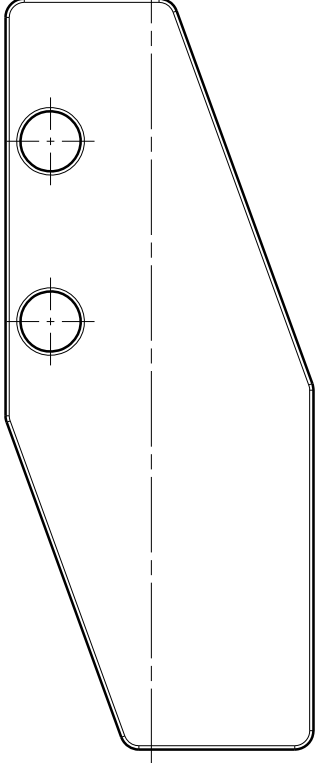
4

3

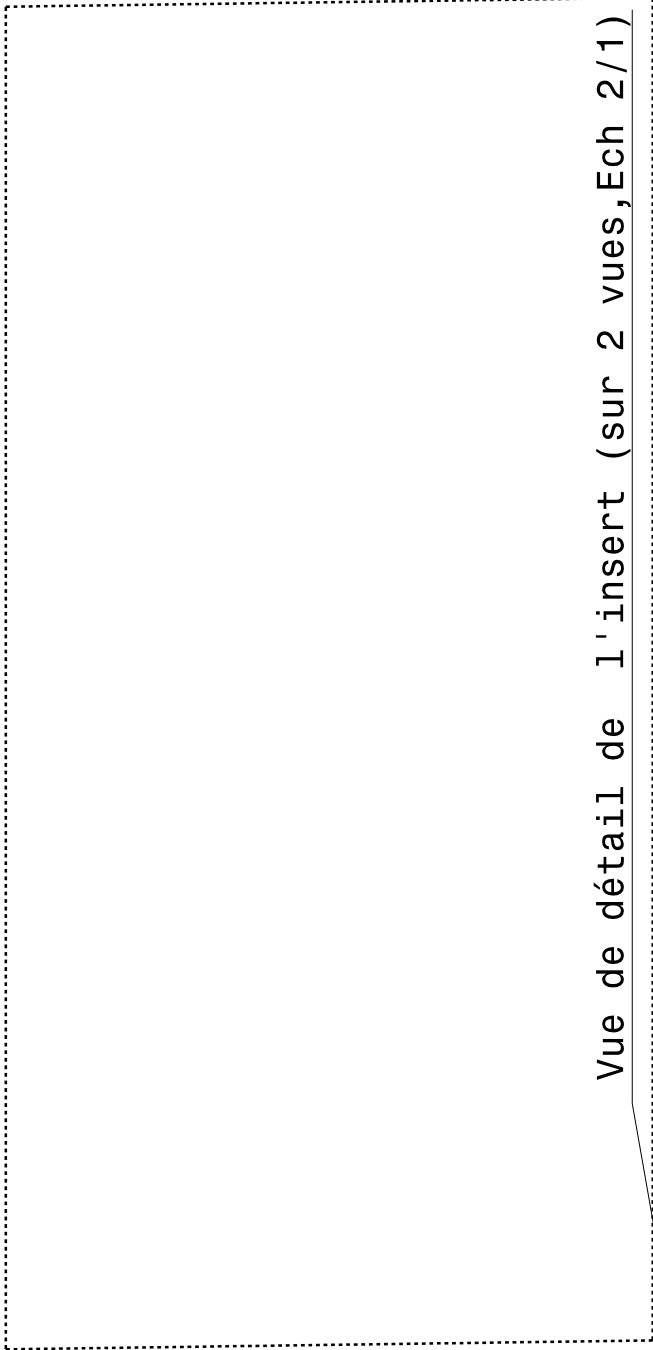
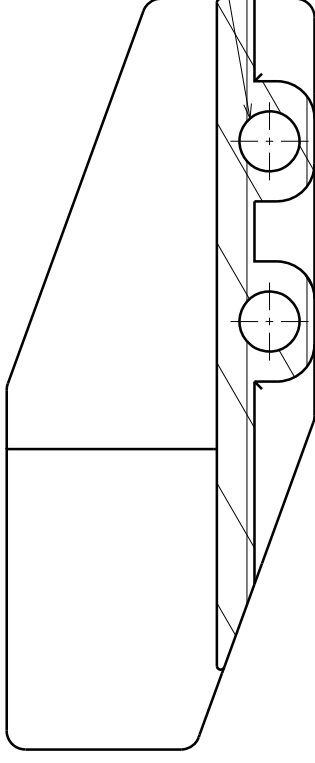
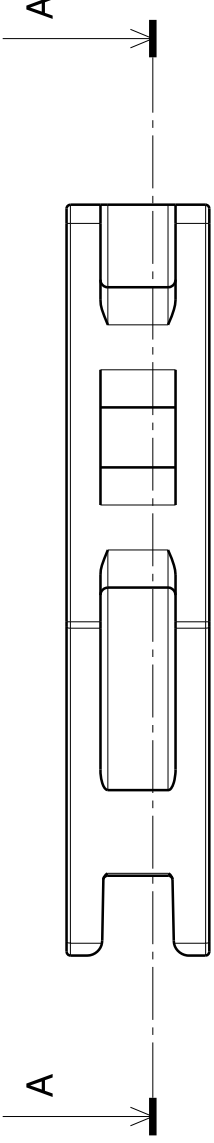
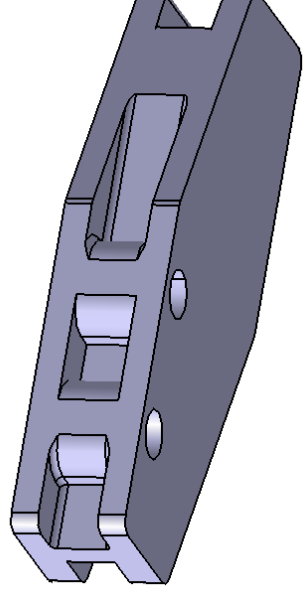
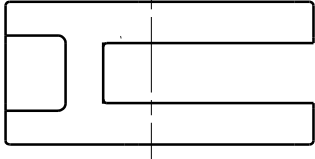
2

1

H G F E D C B A



Plan de joint



Vue de détail de l'insert (sur 2 vues, Ech 2/1)

DESIGNED BY:	jgb			A3 SCALE 1:1	WEIGHT (kg) XXX	DRAWING NUMBER 1/1	SHEET 1/1	Lycée Jean Moulin - Béziers	GUIGE CHAINE	I	-
DATE:	12/10/2013									H	-
CHECKED BY:	XXX									G	-
DATE:	XXX	F	-	E	-	D	-	C	-	B	-
										A	-

This drawing is our property; it can't be reproduced or communicated without our written agreement.

H

G

F

E

D

C

B

A